

TROUBLESHOOTING:

Problem: I'm not getting any signals at all.

Possible causes:

1. Analog-only televisions (manufactured before 2007) require a digital converter box. You MUST perform a channel scan on the converter box.
2. **SCANNING FOR CHANNELS:** A digital TV must be programmed in order to receive digital channels. Once your antenna is installed, you must complete a channel scan, even if you have done so before installing to find the best location for the antenna.
 - a) Your TV must be set to the proper input source. Press the "Input" (or "Source") button on your remote and make sure the input is set to TV.
 - b) Follow the instructions specific to the make and model of your television or converter box to set the signal type to "ANTENNA", "AIR", or "BROADCAST", **not "Cable"**.
 - c) Go to the main menu of your TV or converter box and complete a channel scan. This could be listed as "Auto Program", "Auto Tuning", or "Auto Channel Scan". Consult the owner's manual for your specific device and more precise guidelines. Be ready to experiment with various locations in your home. Remember to rescan for channels in every location.
3. Make sure the front of the antenna is facing the broadcast tower locations serving your area. Visit www.antennapoint.com for more information on broadcasters and tower locations serving your area, or download the **free Antenna Point app** to your Android/iOS smartphone or tablet.
4. **Outdoor Use:** You do not have a clear line of sight to your local broadcast towers. You might need to elevate and/or move your antenna. Make certain the antenna is not aimed into physical obstacles such as a roof, building, or trees. Remember to rescan for channels in every location.
5. You are outside the range of your antenna's capabilities. Depending upon the distance between your home and the local broadcast towers, you may need a longer range outdoor/attic antenna. Antennas Direct offers many models for this purpose.

6. You may have loose coaxial cable connections. Check ALL connections for a tight fit and check all outdoor connections for moisture or corrosion.
7. **Indoor Use:** Building materials such as brick, metal siding, radiant barrier, or stucco can greatly reduce the incoming signal. If in an attic, move the antenna outdoors. If outdoors, make certain the antenna is not aimed into physical obstacles, such as buildings, trees, or a hill. Remember to rescan every time you move your antenna.

Problem: I'm receiving every channel except for one.

Possible cause:

1. You may need to rescan the TV tuner or converter box. The channel you are not receiving may have its transmitter lower on the broadcast tower or on a different tower than the other transmitters and your line of sight is obstructed. Try elevating the antenna or moving it to another location. Repeat as needed.

Problem: I'm having signal breakups, but I'm only two miles from the broadcast tower.

Possible cause:

1. Your TV may be receiving interfering signals. A larger/stronger antenna will not necessarily solve this problem. Consider moving the antenna, making sure it is not placed near metal objects or other antennas. If this is not successful, your signal may be too strong and may require the use of an attenuator. Call our helpline or chat with us online at antennasdirect.com for an analysis of your area and installation. We may be able to offer simple solutions.



Scan to Watch
Assembly Video
or go to
antennasdirect.com/assembly-videos

Quick Start Assembly/Installation Instructions

DB8e Element Bowtie

Before beginning assembly, make sure all parts needed are present.

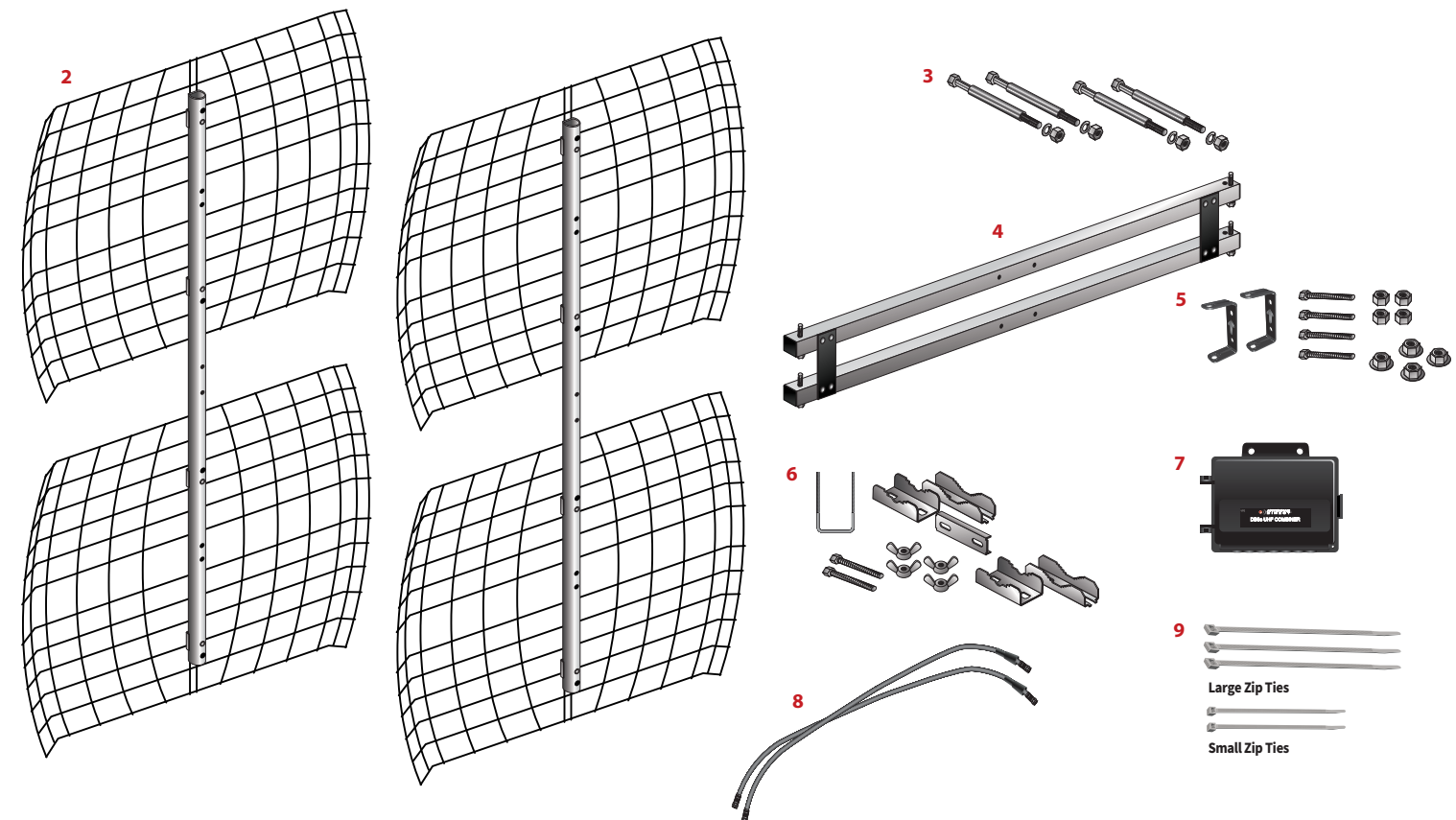
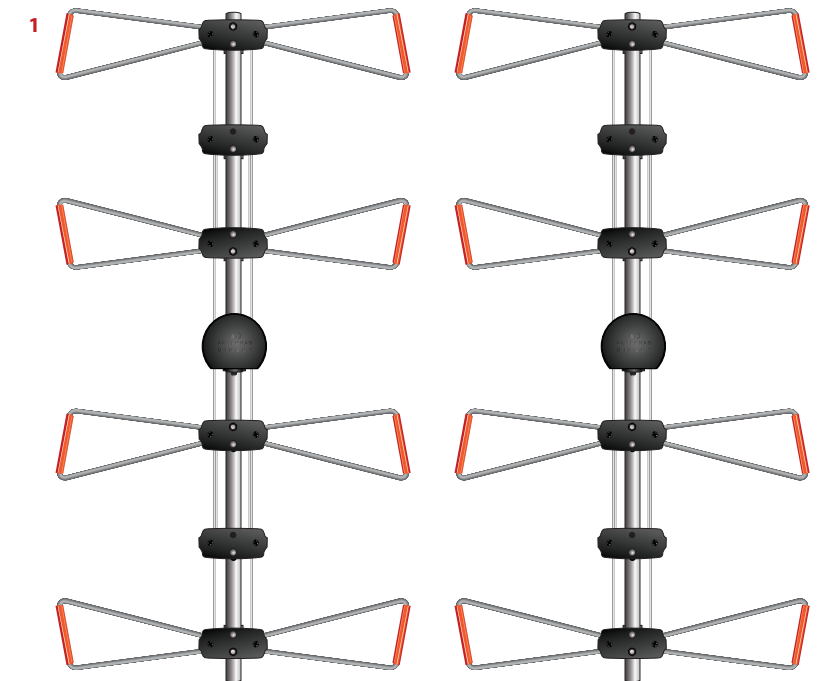
Mast and Coaxial Cable sold separately.

READ BEFORE INSTALLATION:

Before permanently attaching the antenna to any surface, **TEST RECEPTION in that area.** Connect the antenna to the TV or converter box and run a full channel scan. If reception is not as desired, move the antenna and rescan for the available channels.

The DB8e comes with:

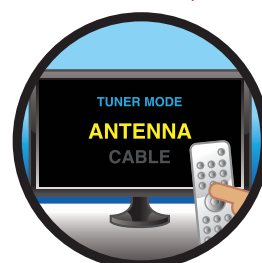
- 1) 2 - Bowtie Elements
- 2) 2 - Reflector Panels
- 3) Element and Reflector Panel Hardware:
 - 4 - 5/2" Bolts with Aluminum Sleeves
 - 4 - Washers
 - 4 - Nuts
- 4) Crossbar
- 5) Swing Bracket Hardware:
 - 2 - Swing Brackets
 - 4 - Bolts
 - 4 - Nuts
 - 4 - Flange Nuts
- 6) Mast Mounting Hardware:
 - 1 - U-Bolt
 - 2 - Bolts
 - 1 - U-Shape Bracket
 - 4 - Mast Clamps
 - 4 - Wing Nuts
- 7) Combiner
- 8) 2 - Coaxial Cable with Weather Boots
- 9) 5 - Zip Ties



Before You Return, Call to Learn.



For Tower Locations:
antennapoint.com



Input on Antenna Mode



Scanning is a Must
When in Doubt, Rescan

HELPLINE: 1-877-825-5572

MODEL # DB8-E

Antennas Direct® Inc.
Lifetime Warranty

Antennas Direct® Inc. warrants this product against any defects in materials or workmanship for as long as you own the product. No warranty claim will be honored unless, at the time the claim is made, you present proof of purchase from an authorized Antennas Direct® Inc. dealer.

Antennas Direct® Inc. will either repair or replace the defective product at no charge to you. This warranty covers parts but does not cover any costs incurred in the removal or reinstallation of the product. This limited warranty does not apply if the product is damaged or fails due to: misuse, improper installation, abuse, and modification of the product as originally manufactured by Antennas Direct.

Antennas Direct® Inc. will not assume any liabilities for any other warranties, expressed or implied by any other person. The foregoing shall be the sole and exclusive remedy of any person, whether in contract, tort, or otherwise, and Antennas Direct® Inc. shall not be liable for incidental or consequential damage or commercial loss, or for any other loss or damage, as set forth above.

16388 Westwoods Business Park, Ellisville, MO 63021, USA

©Antennas Direct
MODEL # DB8-E
11.2020



Call to Learn.
Toll-Free Helpline: **1-877-825-5572**

Technical Assistance is available Monday – Friday, 9:00 am to 7:00 pm
and Saturday – Sunday, 10:00 am to 6:00 pm, Central Time.



Find TV Channels
Aim Your Antenna

FREE
Antenna Point app

or go to antennapoint.com

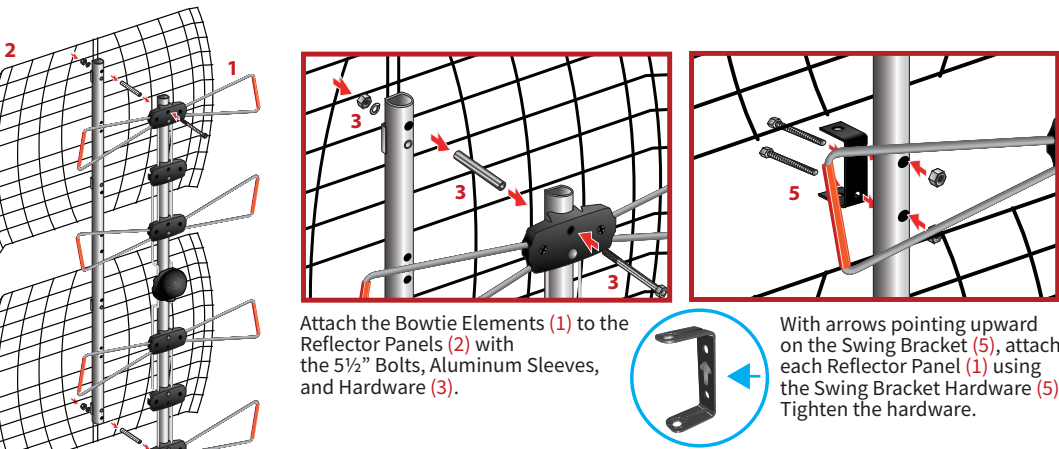


Warning! Keep Away
from Power Lines.

Continued >

SET UP THE ANTENNA:

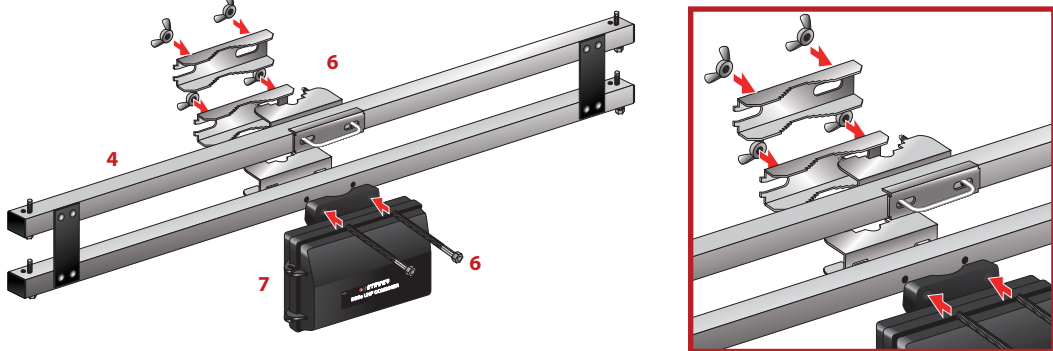
Required: Coaxial Cable (sold separately), Adjustable Wrench, Power Drill, 3/16" Drill Bit, 8 and 10mm Ratcheting Drivers, and a #2 Phillips Screwdriver.



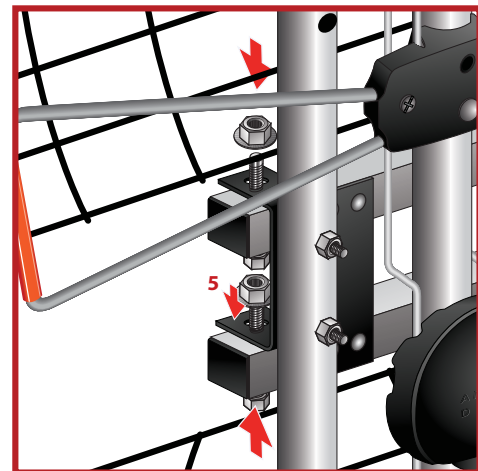
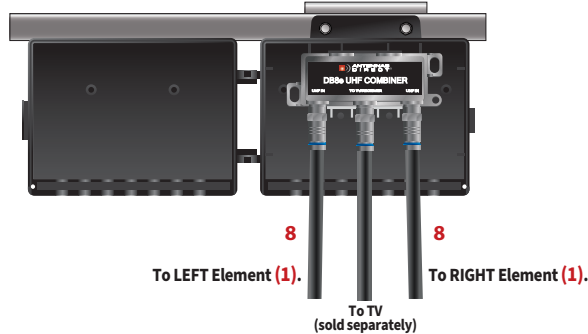
Attach the Bowtie Elements (1) to the Reflector Panels (2) with the 5 1/2" Bolts, Aluminum Sleeves, and Hardware (3).

With arrows pointing upward on the Swing Bracket (5), attach to each Reflector Panel (1) using the Swing Bracket Hardware (5). Tighten the hardware.

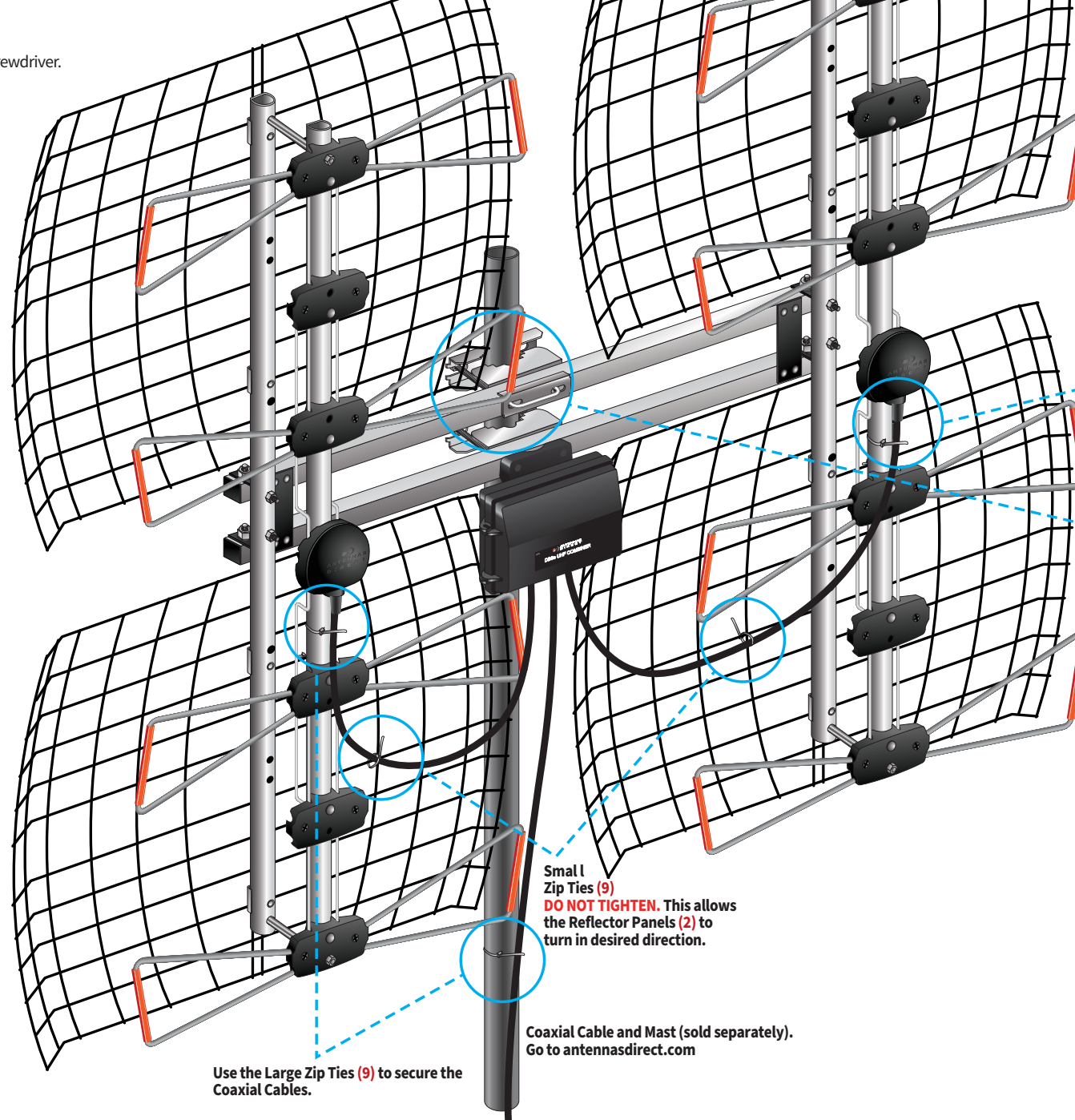
Attach the Mast Mounting Hardware (6) and the Combiner (7) to the Crossbar (4) as shown.



Connect each Coaxial Cable (8) to the Combiner (7) using the ends *without* the Weather Boot.



With all coaxial cable connections pointing downward on the Combiner (7) attach one panel at a time to the Crossbar (4) using the Flange Nuts (5). Adjust the Reflector Panels (2) so they are parallel to the CrossBar (4). Tighten the hardware (5).



IMPORTANT: CHECK THE RECEPTION IN THE LOCATION WHERE YOU INTEND TO INSTALL THE ANTENNA PRIOR TO ATTACHING THE MAST TO ANY SURFACE.

Route the left and right Coaxial Cables (8) through each Reflector Panel (2) and connect the Coaxial Cables (8) to the connector on the Bowtie Elements (1) and slide the Weather Boot over each connection.

Use the Large Zip Ties (9) to secure the Coaxial Cables (8) to the Bowtie Elements.

Before installing the antenna on a mast, adjust the mast, so it is in a vertical position. You will need to adjust the antenna after it is mounted for the best reception.

Slide the antenna's mounting hardware through the Mast Clamps (6) and tighten the Wing Nuts (6).

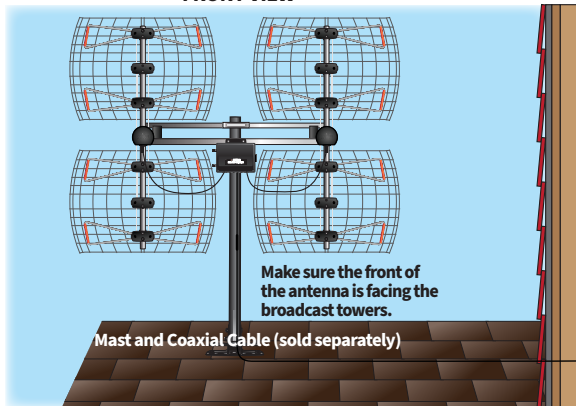
To aim each panel in different directions, loosen the Flange Nuts (5) on the Swing Brackets (5). Turn each panel in the desired direction and then tighten the Flange Nuts (5). Perform a channel scan.

Small Zip Ties (9) DO NOT TIGHTEN. This allows the Reflector Panels (2) to turn in desired direction.

Coaxial Cable and Mast (sold separately). Go to antennasdirect.com

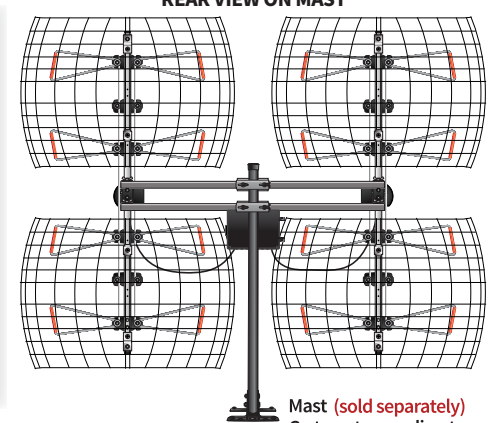
Use the Large Zip Ties (9) to secure the Coaxial Cables.

FRONT VIEW



Mast and Coaxial Cable (sold separately)

REAR VIEW ON MAST



Mast (sold separately) Go to antennasdirect.com.



Now that you've installed your antenna, you are ready to scan for channels. See "Scanning for channels" in the troubleshooting guide.

Congratulations! You're watching HDTV for FREE! Welcome to the Antennas Direct cord-cutting family.

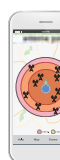


Call to Learn.
Toll-Free Helpline: 1-877-825-5572

Technical Assistance is available Monday – Friday, 9:00 am to 7:00 pm and Saturday – Sunday, 10:00 am to 6:00 pm, Central Time.



Warning! Keep Away from Power Lines.



Find TV Channels Aim Your Antenna

FREE Antenna Point app

or go to antennapoint.com