

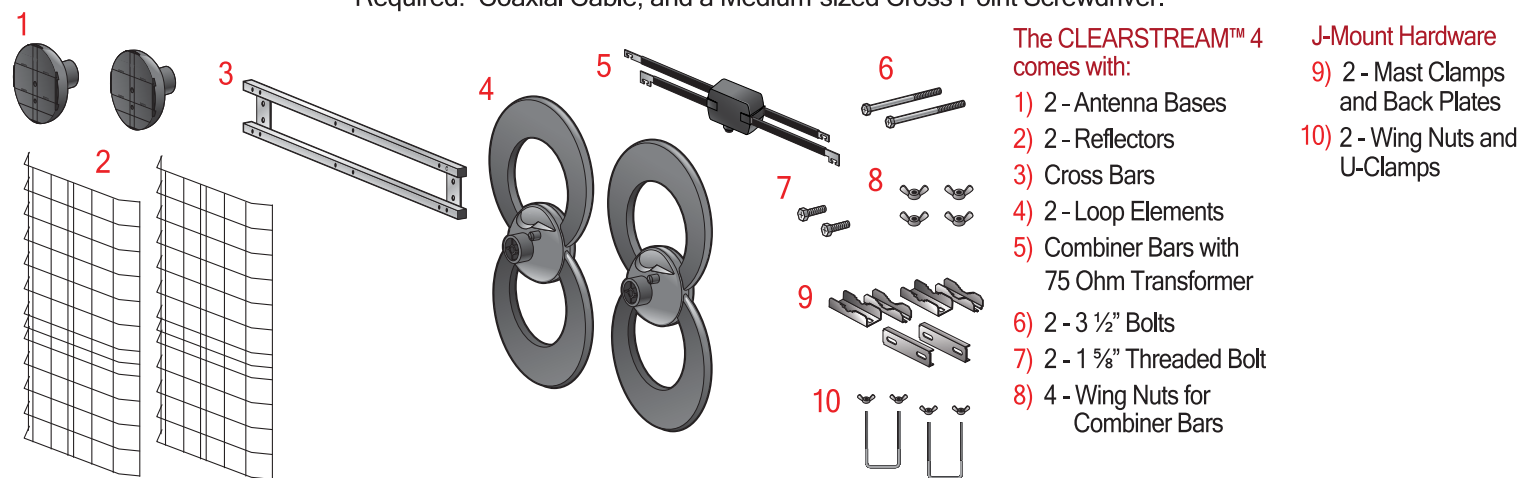
Quick Start Assembly/Install Instructions
CLEARSTREAM™ 4

Before attaching the antenna to any surface, TEST RECEPTION in that area.

Connect the antenna to the TV or converter box and run a **full channel scan**. If reception is not as desired, move the antenna and **rescan TV/converter box**.

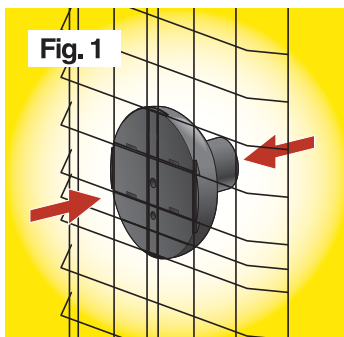
Before beginning assembly, make sure all parts needed are present.

Required: Coaxial Cable, and a Medium-sized Cross Point Screwdriver.

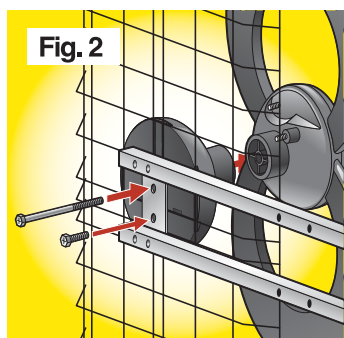


- The CLEARSTREAM™ 4 comes with:
- 1) 2 - Antenna Bases
 - 2) 2 - Reflectors
 - 3) Cross Bars
 - 4) 2 - Loop Elements
 - 5) Combiner Bars with 75 Ohm Transformer
 - 6) 2 - 3 1/2" Bolts
 - 7) 2 - 1 1/8" Threaded Bolt
 - 8) 4 - Wing Nuts for Combiner Bars
- J-Mount Hardware
- 9) 2 - Mast Clamps and Back Plates
 - 10) 2 - Wing Nuts and U-Clamps

1) Attach each Antenna Base (1) at the center of each Reflector (2) and 'click' securely in place. **Fig. 1**



2) Attach the Cross Bars (3) to the back of the Reflector using the 1 1/8" Threaded Bolts (7). **Fig. 2**



3) Position the Loop Elements (4), so the Antennas Direct logo on each loop is in the same orientation. Then add each Loop Element to the Antenna Bases (1) using the 3 1/2" Bolts (6). **Fig. 2**

4) Attach the mounting hardware by adding the Back Plates (9) to the Cross Bars (3), then insert the U-Clamps (10). Next, attach the Mast Clamps (9) on the opposite side of the Cross Bars and fit onto the U-Clamp. **Fig. 3** Turn the Wing Nuts on the U-Clamps, so they are loose. **Fig. 3a**

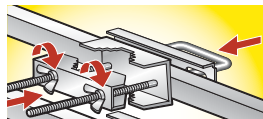
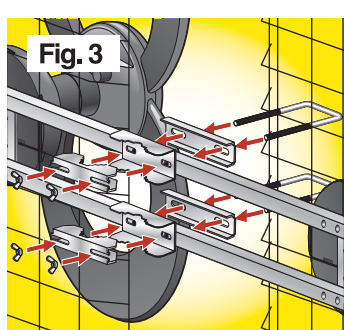
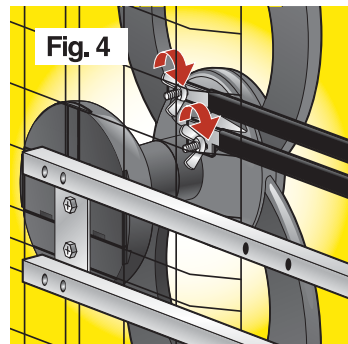


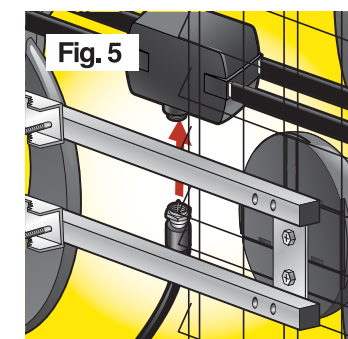
Fig. 3a

5) Attach the Combiner Bars (5) to each terminal on the back of each Loop Element (4) as shown. There are two attachments on each Loop Element. Secure loosely with the Wing Nuts (8), do not over tighten. **Fig. 4**



6) Thread coaxial cable (sold separately) into the 75 Ohm Transformer (5). **Fig. 5**

7) Connect the opposite end of the coaxial cable to your TV or converter box.



Follow the instructions in your TV/converter box owners' manual to change the input from 'CABLE' to 'ANTENNA', or 'AIR', or 'BROADCAST'."

Point antenna in direction of your TV stations' broadcast towers, and check reception by scanning for channels. If the reception is not as desired, move antenna and rescan.

HELPFUL TIP: It's important to check the reception in the location you intend to install the antenna prior to attaching to the mast.



Call to Learn.
Toll-Free Helpline: **1-877-825-5572**

Technical Assistance is available Monday – Friday, 9:00 am to 7:00 pm and Saturday – Sunday, 10:00 am to 6:00 pm, Central Time.



Find TV Channels
Aim Your Antenna
FREE
Antenna Point app
or go to antennapoint.com



Warning! Keep Away From Power Lines.

Troubleshooting

Problem: I'm not getting any signals at all.

Possible causes:

1. Analog-only televisions (manufactured before 2007) need a digital converter box. You MUST run a channel scan on the converter box.
2. A digital TV must be programmed in order to receive digital channels.
 - a) A TV must be set to the proper input source. Go into the setup menu and select the proper source. It may be labeled "antenna", "air", "broadcast", or "cable off".
 - b) Within the setup menu select channel setup or channel scan. Again you may need to refer to your TV user's manual for exact directions.
3. If you are not receiving all channels as desired, adjust or relocate the antenna and perform another channel scan. Repeat this step as needed.
4. To reset the tuner completely, perform the "double rescan" procedure as follows:
 - a) Disconnect the antenna from the converter box or digital TV.
 - b) Rescan the converter box or digital TV without the antenna connected. As with any scan, follow the on-screen instructions or owner's manual for your device.
 - c) Unplug the converter box or digital TV from the electrical outlet for at least one minute.
 - d) Reconnect the antenna to the converter box or digital TV and plug the unit into the electrical outlet.
 - e) Repeat the scan procedure for the converter box or digital TV as needed.

Make sure the antenna is facing the broadcast towers in your area. To locate your broadcast towers go to www.antennapoint.com or call your local TV station.

5. You do not have a clear line of sight to your local broadcast towers. You might need to elevate and/or move your antenna. You have found the right location for your antenna when all of your local channels appear after a subsequent rescan. Remember to rescan at every location that you try.

6. You are outside of the range of your antenna's capabilities. Depending upon the distance between your home and the local TV broadcast towers, you may need a long range outdoor/attic antenna. Antennas Direct offers many models for this purpose.
7. You may have loose fitting connections along the cable line. Check ALL connections for tight fit and check all outdoor connections for moisture or corrosion.
8. Building material such as brick, metal siding, radiant barrier, or stucco will greatly inhibit signal. Move your antenna near a window facing the broadcast towers if indoors. If in an attic, move the antenna outdoors. If outdoors, make certain the antenna is not aimed into physical obstacles such as a roof, building, trees, or other obstacles.

Problem: I'm receiving every channel except for one.

Possible causes:

1. You may need to rescan the TV tuner or converter box. The channel you are not receiving may have its transmitter lower on the broadcast tower or be on a different tower than the other transmitters and your line of sight is blocked. Try elevating the antenna or moving it to another location. Repeat as needed.
2. Some stations transmit on VHF channels that are much harder to receive with an indoor, attic, or a UHF-only antenna. Check www.antennapoint.com to find out if the station you are trying to receive is a UHF or VHF station. If the station(s) you are missing transmits on a VHF channel, it may be necessary to upgrade by adding an additional VHF antenna or element in order to receive your complete set of local channels. Call our customer service helpline for more information.

Problem: I'm having signal breakups but I'm only two miles from the broadcast tower.

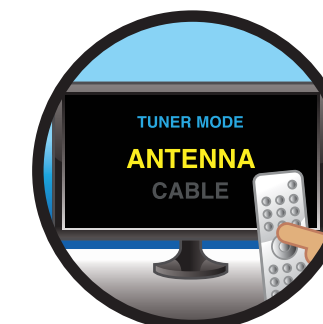
Possible causes:

1. Your TV may be receiving interfering signals. A larger/stronger antenna will not necessarily solve this problem. Consider moving the antenna making sure it is not placed near metal objects or other antennas. If this is not successful, your signal may be too strong and may require the use of an attenuator. Call our Helpline for an analysis of your area and installation. We may be able to offer simple solutions.

Before You Return, Call To Learn.



For Tower Locations:
antennapoint.com



Input On Antenna Mode



Scanning is a Must
When in Doubt, Rescan

HELPLINE: 1-877-825-5572

Model # C4

Antennas Direct® Inc.
Lifetime Warranty

Antennas Direct® Inc. warrants this product against any defects in materials or workmanship for as long as you own the product. No warranty claim will be honored unless at the time the claim is made you present proof of purchase from an authorized Antennas Direct Inc. dealer.

Antennas Direct Inc. will either repair or replace the defective product at no charge to you. This warranty covers parts, but does not cover any costs incurred in removal or reinstallation of the product. This limited warranty does not apply if the product is damaged or fails from: misuse, improper installation, abuse, and modification of the product as originally manufactured by Antennas Direct.

Antennas Direct Inc. will not assume any liabilities for any other warranties, expressed or implied by any other person. The foregoing shall be the sole and exclusive remedy of any person, whether in contract, tort or otherwise, and Antennas Direct Inc. shall not be liable for incidental or consequential damage or commercial loss, or for any other loss or damage as set forth above.

16388 Westwoods Business Park, St. Louis, MO 63021

©Antennas Direct
Model # C4
11.2019