

CLEARSTREAM™ 2 COMPLETE

Before attaching the antenna to any surface, **TEST RECEPTION** in that area.

Connect the antenna to the converter box and run a **full channel scan**.
If reception is not as desired, move the antenna and **rescan TV/converter box**.

Before beginning assembly, make sure all pieces needed are present.



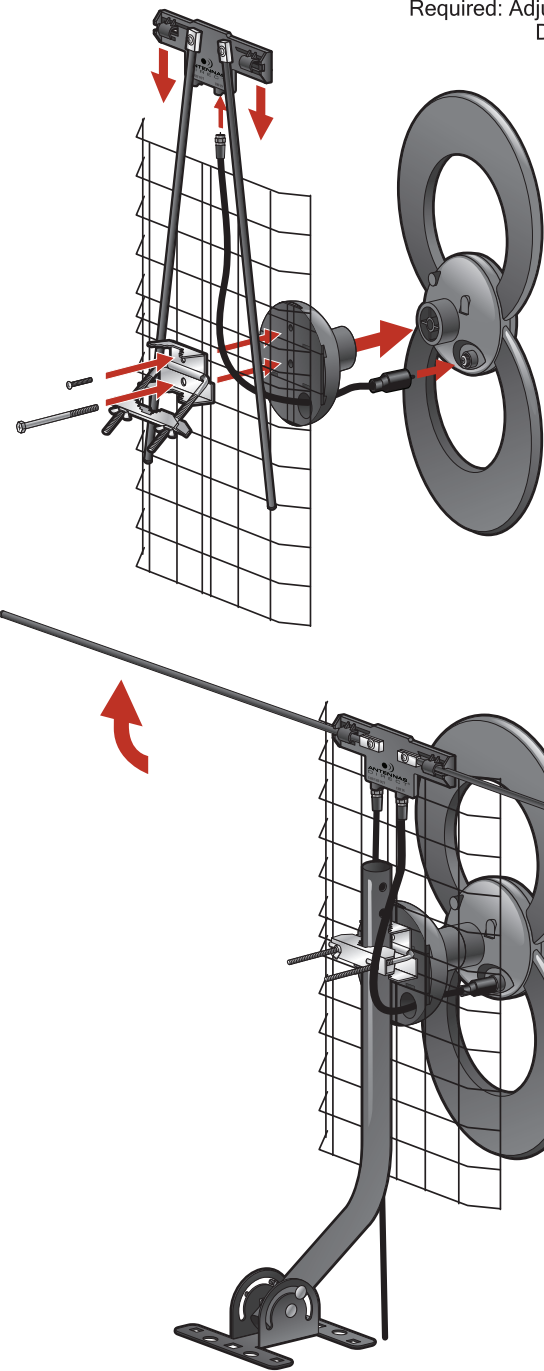
The CLEARSTREAM™ 2 Complete comes with:

- 1) Reflector
- 2) Loop Element
- 3) Antenna Base
- 4) VHF Dipole Kit
- 5) 30' Coaxial Cable
- 6) 12" Coaxial Cable with Weather Boot
- 7) J-Mount Mast
- 8) Mount Base
- 9) Mount End Cap
- 10) Wing Nuts and U-Clamp
- 11) Mast Clamp and Back Plate

- Mounting Hardware:
- 12) Hex Bolts and Nuts
 - 13) 3½" Bolt
 - 14) 1½" Threaded Bolt
 - 15) ¼" x 50mm J-Mount Bolts
 - 16) Roof Sealing Pads

Outdoor Assembly and Installation

Required: Adjustable Wrench, Power Drill, 3/16" Drill Bit, 8 and 10mm Ratcheting Drivers', and a Medium-sized Cross Point Screwdriver.



- 1) Attach Antenna Base (3) at the center of the Reflector (1) and 'click' securely in place.
- 2) Attach the Back Plate and Mast Clamp (11) using the 1½" Threaded Bolt (14), and loosely screw on the Wing Nuts (10).
- 3) Connect the 12 in. Coaxial Cable end (6) without the Weather Boot into the "UHF IN" connector on the VHF Dipole Kit (4). Attach the VHF Dipole Kit onto the back of the Reflector (1), on the first and second bar, and push down until the VHF Dipole Kit 'clicks' securely in place.
- 4) Raise the VHF Kit Dipoles until they 'click' securely in place.
- 5) Place the other end of the 12 in. Coaxial Cable (6) with the Weather Boot through the Antenna Base (3) and thread the connector. Once connected, slide the Weather Boot over the connection.
- 6) Assemble the Loop Element (2) using the 3½" Bolt (13).
- 7) Connect one end of the 30 ft. Coaxial Cable (5) into the "UHF/VHF OUT" on the VHF Dipole Kit (4).

Helpful Tip: It is important to check the reception in the location you intend to install the antenna prior to attaching and installing on the mast.

8) Next, connect the opposite end of the 30 ft. Coaxial Cable (5) to the "Antenna Input" on the TV/converter box.

Point the antenna in the direction of your TV stations' broadcast towers and check for reception by scanning for channels.

To locate your broadcast towers, go to antennapoint.com and enter in your zip code or call your local TV station. You may need to relocate the antenna in various locations of the room to receive broadcast signals.

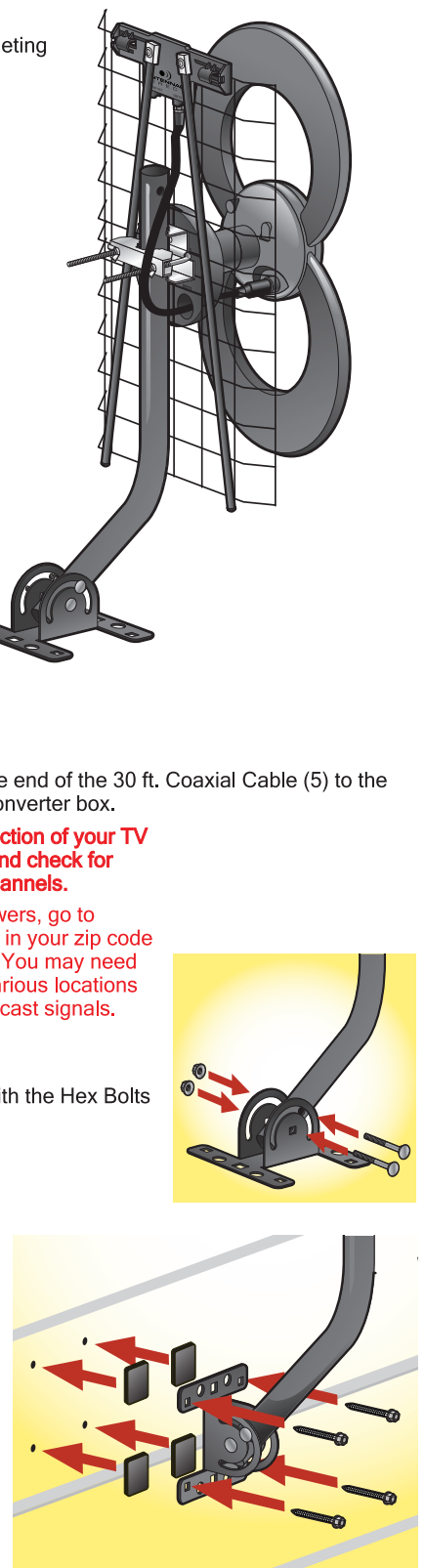
9) Attach the J-Mount Mast (7) to the Mount Base (8) with the Hex Bolts and Nuts (12).

Mast Installation:

Tools required: Power Drill, 3/16" Drill Bit, Adjustable Wrench, 8 and 10mm Ratcheting

Mark the Mount Base position on your desired surface. Drill a 3/16" hole 1½" deep for each ¼" J-Mount Bolt (15). Attach Roof Sealing Pads (16) over the holes you drilled and push an indent into the hole, so you can see where to set the Mount Base. Place the Mount Base over the holes, and then using the ¼" J-Mount Bolts (15), tighten bolts to secure the Base.

Before installing the antenna on the J-Mount Mast (7), adjust the Mast, so it is in a vertical position. You may need to adjust the antenna for the best reception. Install the antenna on the J-Mount Mast (7) by positioning the Mast Clamp (11) onto the Mast. Tighten the Wing Nuts (10) to secure the antenna to the Mast. Place Mount Base End Cap (9) onto J-Mount Mast (7).



Call to Learn.
Toll-Free Helpline: **1-877-825-5572**

Technical Assistance is available Monday – Friday, 9:00 am to 7:00 pm and Saturday – Sunday, 10:00 am to 6:00 pm, Central Time.



Warning! Keep Away From Power Lines.

Indoor Assembly and Installation

1) Attach Antenna Base (3) at the center of the Reflector (1) and 'click' securely in place.

2) Attach the Back Plate of the Mast Clamp (11) using the 1½" Threaded Bolt (14).

3) Connect the 12 in. Coaxial Cable end (6) without the Weather Boot into the "UHF IN" connector on the VHF Dipole Kit (4). Attach the VHF Dipole Kit onto the back of the Reflector (1), on the first and second bar, and push down until VHF Dipole Kit 'clicks' securely in place.

4) Raise the VHF Kit Dipoles until they 'click' securely in place.

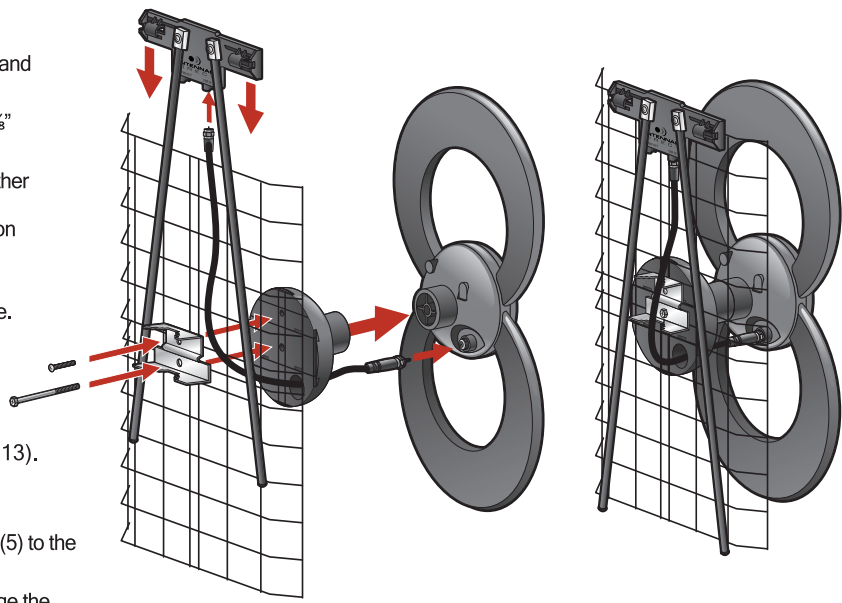
5) Place the other end of the 12 in. Coaxial Cable (6) with the Weather Boot through the Antenna Base (3) and thread the connector. Note: Weather Boot is not needed for indoor installation.

6) Assemble the Loop Element (2) using the 3½" Bolt (13).

7) Thread one end of the 30 ft. Coaxial Cable (5) into the "UHF/VHF OUT" on the VHF Dipole Kit (4).

8) Next, connect the opposite end of the 30 ft. Coaxial Cable (5) to the "Antenna Input" on the TV/converter box.

9) Follow the instructions in your TV owner's manual to change the input from 'CABLE' to "ANTENNA", "AIR", or "BROADCAST".



NOTE: We recommend you place padding under the loop element and reflector to protect your furniture.

Point the antenna in the direction of your TV stations' broadcast towers and check for reception by scanning for channels.

To locate your broadcast towers, go to antennapoint.com and enter in your zip code or call your local TV station. You may need to relocate the antenna in various locations of the room to receive broadcast signals.

Troubleshooting

Problem: I'm not getting any signals at all.

Possible causes:

1. Analog-only televisions (manufactured before 2007) need a digital converter box. You MUST perform a channel scan on the converter box.
2. A digital TV must be programmed in order to receive digital channels.
 - a) A TV must be set to the proper input source. Go into your TV's setup menu and select the proper source. It may be labeled "Antenna", "Air", "Broadcast", or "Cable Off".
 - b) Within the setup menu, select channel setup or channel scan. You may need to refer to your TV owner's manual for exact directions.
3. If you are not receiving all channels as desired, adjust or relocate the antenna and perform another channel scan. Repeat this step as needed.
4. To reset the tuner completely, perform the "double rescan" procedure as follows:
 - a) Disconnect the antenna from the converter box or digital TV.
 - b) Rescan the converter box or digital TV without the antenna connected. As with any scan for a TV or converter box, follow the on-screen instructions or owner's manual for your device.
 - c) Unplug the converter box or digital TV from the electrical outlet for at least one minute.
 - d) Reconnect the antenna to the converter box or digital TV and plug the unit into the electrical outlet.
 - e) Repeat the scan procedure for the converter box or digital TV as needed.

Make sure the front of the antenna is facing the broadcast towers in your area. To locate your broadcast towers visit www.antennapoint.com or call your local TV station.

5. Outdoor Use: You do not have a clear line of sight to your local broadcast towers. You might need to elevate and/or move your antenna. You have found the right location for your antenna when all of your local channels appear after a subsequent rescan. Remember to rescan at every location that you try.

6. You are outside the range of your antenna's capabilities.

Depending upon the distance between your home and the local TV broadcast towers, you may need a long range outdoor/attic antenna. Antennas Direct offers many models for this purpose.

7. You may have loose fitting connections along the cable line.

Check ALL connections for tight fit and check all outdoor connections for moisture or corrosion.

8. Indoor use: Building material such as brick, metal siding, radiant barrier, or stucco will greatly inhibit signal.

Move your antenna near a window facing the broadcast towers. If in an attic, move the antenna outdoors. If outdoors, make certain the antenna is not aimed into physical obstacles such as a roof, building, trees, or other obstacles.

Problem: I'm receiving every channel except for one.

Possible causes:

1. You may need to rescan the TV tuner or converter box.

The channel you are not receiving may have its transmitter lower on the broadcast tower than the other transmitters and your line of sight is blocked. Try elevating the antenna or moving it to another location. Repeat as needed.

Problem: I'm having signal breakups but I'm only two miles from the broadcast tower.

Possible causes:

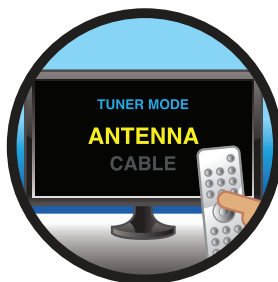
1. Your TV may be receiving interfering signals.

A larger/stronger antenna will not necessarily solve this problem. Consider moving the antenna making sure it is not placed near metal objects or other antennas. If this is not successful, your signal may be too strong and may require the use of an attenuator. Call our Helpline for an analysis of your area and installation. We may be able to offer simple solutions.

Before You Return, Call To Learn.



For Tower Locations:
antennapoint.com
or 1-877-825-5572



Input On Antenna Mode



**Scanning is a Must
When in Doubt, Rescan**

HELPLINE: 1-877-825-5572
C2-J30-V

Antennas Direct® Inc.
Lifetime Warranty

©Antennas Direct, Inc.
Model # C2-J30-V
11.2019

Antennas Direct® Inc. warrants this product against any defects in materials or workmanship for as long as you own the product. No warranty claim will be honored unless at the time the claim is made you present proof of purchase from an authorized Antennas Direct Inc. dealer.

Antennas Direct Inc. will either repair or replace the defective product at no charge to you. This warranty covers parts, but does not cover any costs incurred in removal or reinstallation of the product. This limited warranty does not apply if the product is damaged or fails from: misuse, improper installation, abuse, and modification of the product as originally manufactured by Antennas Direct.

Antennas Direct Inc. will not assume any liabilities for any other warranties, expressed or implied by any other person. The foregoing shall be the sole and exclusive remedy of any person, whether in contract, tort or otherwise, and Antennas Direct Inc. shall not be liable for incidental or consequential damage or commercial loss, or for any other loss or damage as set forth above.

16388 Westwoods Business Park, St. Louis, MO 63021